

Recessed CE5035

CE5035-A120



CE5035-A120

Basic Parameters

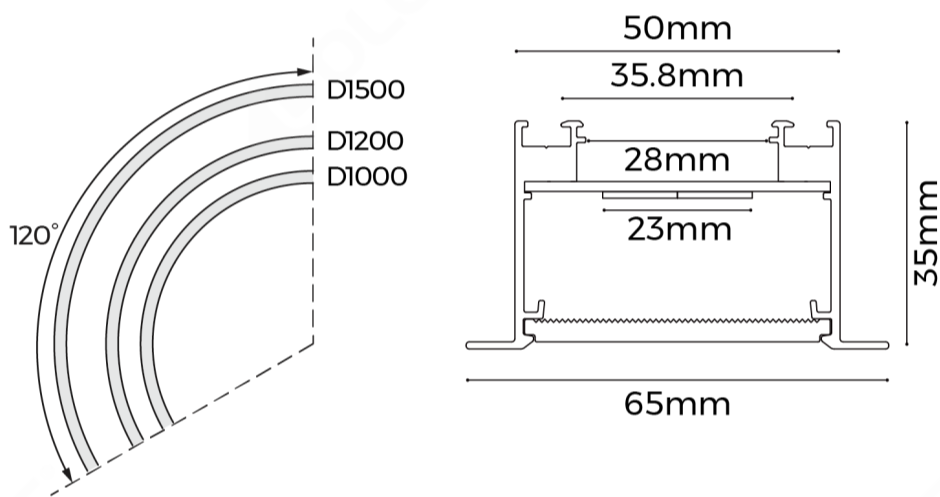
Application	Indoor
Material	AL6063-T5,spraying surface
IP Grade	IP20
Warranty	5 years

Electrical Parameters

Optical Parameters

Length	D1000mm,D1200mm,D1500mm
Luminous Efficacy	90LM/W

Dimensions

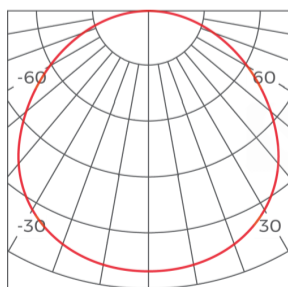


Luminaire Parameters

Version	Size(mm)	Power(W)	PCB Current(A)	CRI	CCT	Lumens(LM) @White, Sliver	Lumens(LM) @Black
Regular	D1000mm	24	1	>80	4000K	2160	1836
Regular	D1200mm	29	1.21	>80	4000K	2610	2218
Regular	D1500mm	37	1.54	>80	4000K	3330	2830
Regular	D1000mm	24	1	>90	4000K	1857	1578
Regular	D1200mm	29	1.21	>90	4000K	2244	1907
Regular	D1500mm	37	1.54	>90	4000K	2863	2434

Light Distribution

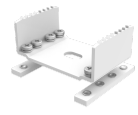
Regular-110°



h(m)	D(cm)	E(lx)
1	1151	34
2	287	742
3	575	185
4	863	81

Common Accessories

Splicing accessory



EX-E16

Applicable product model: CS5035/CE5035 Material process:SPCC/ Electroplating Size: L46.5*W30*H18mm Quantity: 1 PCS/SET Other:Includes mounting screws.

Dedicated light source



DM51202423

Applicable product model: CS5035/CS5070/CE5035(stick a single strip)
CS7035/CS7070/CE7035(paste two strips placed parallel to each other)
Size: 4000*23*1.5mm/5000*23*1.5mm
Cutting Unit:50mm
Input Voltage:DC24V
Typ.Power:14.4W/M(5M/roll); 24W/M(4M/roll)
Typ.luminous flux:
800LM/M@RGBNW(5M/roll)
1320LM/M@RGBNW(4M/roll)
CCT:RGB(DMX)+2700/RGB(DMX)+3000/RGB(DMX)+4000/RGB(DMX)+6000K
CRI: RA80 @ white light
Other:20# wire diameter,outer diameter 5.5mm, PVC material;5PIN red/black/green/blue/white wire



DS81602423

Applicable product model: CS5035/CS5070/CE5035(stick a single strip)
CS7035/CS7070/CE7035(paste two strips placed parallel to each other)
Size: 4000*23*1.5mm/5000*23*1.5mm
Cutting Unit:50mm
Input Voltage:DC24V
Typ.Power:14.4W/M(5M/roll); 24W/M(4M/roll)
Typ.luminous flux:
2300LM/M@RA80,4000k(5M/roll)
3600LM/M@RA80,4000k(4M/roll)
CCT: 2700/3000/3500/4000/5000/6500K
CRI: 80/90
Other:18# wire diameter,PVC material, 2PIN red-black wire



DS83202423

Applicable product model:CS5035/CS5070/CE5035(stick a single strip)
CS7035/CS7070/CE7035(paste two strips placed parallel to each other)
Size: 3000*23*1.5mm/4000*23*1.5mm
Cutting Unit:50mm/16LEDs
Input Voltage:DC24V
Typ.Power:
48W/M(2700K+6500K)@3M/roll
28.8W/M(2700K+6500K)@4M/roll
Typ.luminous flux:
4000LM/M@RA80,2700K+6500K(4M/roll)
6700LM/M@RA80,2700K+6500K(3M/roll)
CCT: 2700K+6500K
CRI: 80/90
Other:Outer diameter 6mm,18# wire diameter, brown-blue-green 3PIN crystal wire

Cover



CV-CS5035D

Applicable product model:CS5035/CS5070/CE5035(suitable for down-lighting) Diffuser Nature: Diffuser Material process: Silica gel flexible/frosting Light transmittance:≥55% Size: 20000*47*4mm Other: Fire protection rating UL94-V2 ;

Controller



CR2-GBA

Product Name: CR2-GBA Input Voltage: 12-48V Output Current:8A*2CH,Max 16A Output Power:192W/384W@12V/24V , 384W/576W@36V/48V Dimming Mode: Two-color 2.4 remote control IP:IP20 Product Size:L175*W45*H27(mm)



K-1000C

Product Name: K-1000C Input voltage: 5-24V Control Pixel Points:Point Control 1CH*1024(SPI),Point Control 1CH*512(DMX) Dimming mode:DMX/SPI control IP:IP20Warranty: 5 years



K-8000C

Product Name: K-8000C Input Voltage: 5-24V Control Pixel Points:Point Control 8CH*1024(SPI),Point Control 8CH*512(DMX) Dimming mode:DMX/SPI control IP:IP20Warranty: 5 years

End cap accessory



EC-ME5035

Applicable product model: ME5035 Material process: aluminum/ powder spraying Size: L65*W35*H2.5mm Quantity:2PCS/ set

Installation accessory



CP-54

Applicable product model: MS5035/MS5070/ME5035 Applicable installation: Pendant/Ceiling/Recessed Material process: Stainless Steel Size: L37.87*W20*H5.4mm Quantity: 4 PCS/SET



RB-04

Applicable product model: ME3535/ME5035/ME7035 Installation method: Recessed Material process: aluminum alloy/oil spray Size: 24*6.9*15.7mm Quantity: 4PCS/ set

CCT-Remote control



R7-1

Product Name:R7-1 Dual Color Remote Working Voltage : 3VDC (Battery CR2032) Operating Frequency:2.4GHz Remote Control Distance: 30 meters Operating Temperature: -30°C~55°C Product Size: L107*W58.5*H9(mm)

Power Supply

BK-DEV200-24V0D



Applicable product model: General Dimming mode: DALI2,PUSH-dimming,1-10V 3in1 dimming Size: 361*33.1*22.8mm Input voltage: AC200~240V Operating frequency: 50/60Hz PF value: ≥0.9 Output voltage: DC24V Output current: ≤8.3A Power: 200W Efficiency: 0.92 Certification: TUV, CE, RCM Case material: Metal housing

BK-DGVX-24V0D



Product Name: BK-DGV036-24V0D/BK-DGV060-24V0D/BK-DGV100-24V0D
Applicable product model: General Output power: 36W/60W/100W Output current: ≤1.5A/≤2.5A/≤4.2A Product size: 245.0*30.0*21.0mm/285.0*30.0*21.0mm/355.0*30.0*21.0mm
Input voltage: AC200-240V
Input voltage: AC200~240V
Operating frequency: 50/60Hz
Output voltage: DC24V
PF value: ≥0.9
Efficiency: ≥0.88
IP: IP20
Dimming mode: DALI-2, PUSH-Dimming, 1-10V 3in1 Dimming
Certification: CE, ENEC, UKCA, RCM, CCC, EL
Material: Metal housing
Warranty: 5 years

BK-MEV200-24V0M



Applicable product model: General Dimming mode: 1-10V Dimming Size: 321.5*48*30mm Input voltage: AC200~240V Operating frequency: 50/60Hz PF value: ≥0.9 Output voltage: DC24V Output current: ≤8.3A Power: 200W Efficiency: 0.93 Certification: CE, ENEC, UKCA, RCM, CCC, EL Case material: Metal housing

BK-MGVX-24V0M



Product Name: BK-MGV036-24V0M/BK-MGV060-24V0M/BK-MGV100-24V0M
Applicable product model: General Output power: 36W/60W/100W Output current: ≤1.5A/≤2.5A/≤4.2A Product size: 245.0*30.0*21.0mm/285.0*30.0*21.0mm/355.0*30.0*21.0mm
Input voltage: AC200-240V
Operating frequency: 50/60Hz
Output voltage: DC24V
PF value: ≥0.9
Efficiency: ≥0.89
IP: IP20
Dimming mode: 1-10V Dimming
Certification: TUV, CE, ENEC, RCM
Material: Metal housing
Warranty: 5 years

LF-GHYXH24



Applicable product model: General Dimming mode: Non-Dimming Size: 316*30.7*22.8mm / 361*33.1*22.8mm
Input voltage: AC220-240V
Operating frequency: 50/60Hz
PF value: ≥0.9
Output voltage: DC24V
Output current: ≤4.25A / ≤10A
Power: 100W / 240W
Efficiency: 0.92
Certification: ENEC, CE, CB, RCM, UKCA, MM, CCC
Case material: Plastic

Packing

QTY/CTN	N. WT (ctn)	G.WT (ctn)	Size (cm/carton)	Product Size (mm)
20	14.5	15.95	93*61.5*34	D1000*50*35mm
16	14.1	15.51	110*62*27.5	D1200*50*35mm
18	23.6	25.96	136.5*93.5*21	D1500*50*35mm

Attentions

1. Non-professionals are prohibited from installing, disassembling and repairing the product.
2. Avoid scratching, distortion and irregular bending of the product during installation; otherwise it may cause irreparable damage to the product.
3. Please use professional cutting tools when cutting.
4. Do not use any acid or alkaline adhesive to fix products.
5. The product is only suitable for indoor dry places, can not be used in outdoor, seaside or wet environment.
6. PC features: Each 10°C rise or drop will make diffuser extend or shrink 0.8mm/m[0.01"/ft], please confirm before processing and use.